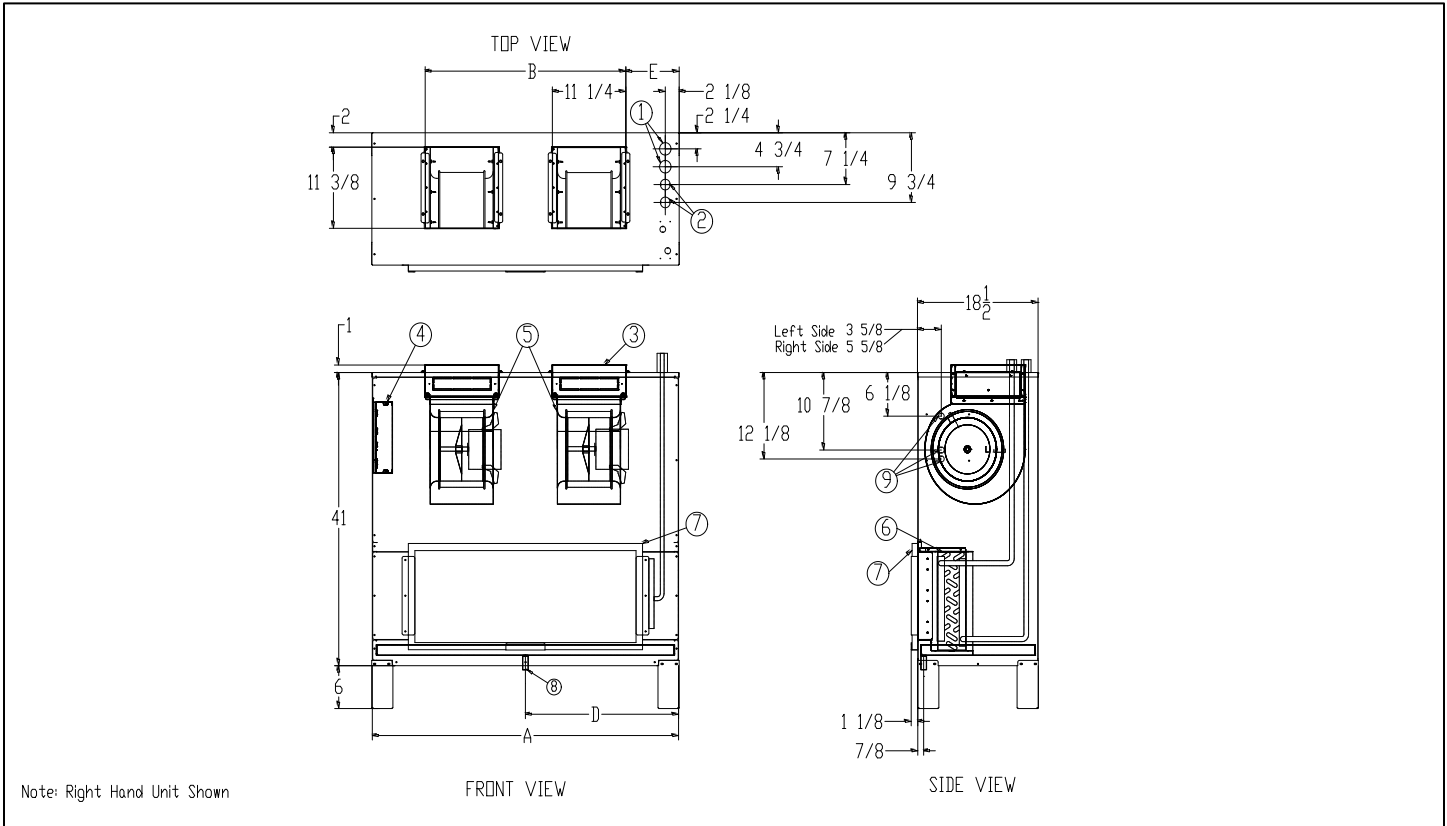


AVC

Apartment Vertical Concealed Cabinet



Model	Dimensions (inches)						Approx. Weight (lb)
	A	B	C	D	E	Filter	
AVC06	23	N/A	5/8	11 1/2	5 7/8	15x17x1	150
AVC08	28	N/A	5/8	14	8 3/8	15x20x1	170
AVC10	32	N/A	7/8	16	10 3/8	15x23x1	195
AVC12	37	N/A	7/8	18 1/2	12 7/8	15x28x1	200
AVC14	42	27 3/4	7/8	21	7 1/8	15x32x1	240
AVC16	47	31 3/4	7/8	23 1/2	8 1/8	15x36x1	260
AVC18	52	35 3/4	7/8	26	8 1/8	15x41x1	268
AVC20	56	39 3/4	7/8	28	8 1/8	15x45x1	280

1. Cold Water Coil Connections – 2/4 pipe supply and return O.D. = "C"
2. Hot Water Coil Connections – 4 pipe supply and return O.D. = "5/8"
3. Supply Duct Collar
4. Electrical Control Box
5. Motor/Blower(s) Assembly
6. Coil Assembly
7. Filter
8. Condensate Connection - 3/4" MNPT
9. Electrical Knockout Entries

Accessories (Optional)

Check if provided.

- | | |
|---|---|
| <input type="checkbox"/> Motor Quick Disconnect | <input type="checkbox"/> Washable Filter |
| <input type="checkbox"/> Thermostat _____ | <input type="checkbox"/> Unit Disconnect Switch |
| <input type="checkbox"/> Control Transformer & Fan Relays | <input type="checkbox"/> Fuse |
| <input type="checkbox"/> Aquastat Changeover Switch | <input type="checkbox"/> Leveling Legs |

This submittal is meant to demonstrate general dimensions of this product. The drawings are not meant to detail every aspect of the product. Drawings are not to scale. Superior Rex

reserves the right to make changes without written notice.

All rights reserved. No part of this work may be reproduced or transmitted in any form or by any means, electronic or mechanical, including photocopying and recording, or by any information storage retrieval system without permission in writing from Air Distribution Technologies.

Accessories (Optional)

Coil - 1/2" O.D. Copper Tube; 10 Fins/Inch Aluminum, Sine Wave

2-Pipe

3-Row (STD.) 4-Row (STD.) 5-Row 6-Row

4-Pipe (Cooling Rows/Heating Rows)

2/1-Row 3/1-Row 3/2-Row 4/1-Row 4/2-Row 5/1-Row

Chilled Water Cooling Hot Water Heating

Glycol Cooling Glycol Heating

Motor

Motor(s) – 3-speed PSC
Standard
115V/60Hz/1ph

Model	HP	Total Amps
AVC06	1/4	3.5
AVC08	1/4	3.5
AVC10	1/4	3.7
AVC12	1/3	4.0
AVC14	2 x 1/4	2 x 3.5
AVC16	2 x 1/4	2 x 3.5
AVC18	2 x 1/4	2 x 3.5
AVC20	2 x 1/3	2 x 4.0

Optional:

208V/60Hz/1ph

230V/60Hz/1ph

277V/60Hz/1ph

Features:

- Automatic Reset
- Thermal Overload Protection System
- Sleeve Bearings

Electric Heat – Single Phase (Optional)

		Electric Heater kW Primary or Supplementary				
		115 Volts	208 Volts	230 Volts	277 Volts	
Heater Voltage	Size	Blowers	Min-Max kW	Min-Max kW	Min-Max kW	Min-Max kW
<input type="checkbox"/> 115V	06	1	1-3.5 kW	1-6 kW	1-6 kW	1-6 kW
<input type="checkbox"/> 208V	08	1	1-3.5 kW	1-6 kW	1-7 kW	1-8 kW
<input type="checkbox"/> 230V	10	1	1-3.5 kW	1-6 kW	1-7 kW	1-8.5 kW
<input type="checkbox"/> 277V	12	1	1-3.5 kW	1-6 kW	1-7 kW	1-8.5 kW
	14	2	1-4 kW	1-9 kW	1-10 kW	1-12 kW
	16	2	1-4 kW	1-9 kW	1-10 kW	1-12 kW
	18	2	1-4 kW	1-9 kW	1-10 kW	1-12 kW
	20	2	1-4 kW	1-9 kW	1-10 kW	1-12 kW

This submittal is meant to demonstrate general dimensions of this product. The drawings are not meant to detail every aspect of the product. Drawings are not to scale. Superior Rex reserves the right to make changes without written notice.

Condensate Pan

- | | |
|--|--|
| <input type="checkbox"/> Galvanized (STD.) | <input type="checkbox"/> Safety Overflow Float Switch* |
| <input type="checkbox"/> Mastic Coating | |
| <input type="checkbox"/> Stainless Steel Inner Layer | |

Description: Single Layer of 16 gauge Galvanized Sheet Metal with Mastic Coating and One - Inch Internal Insulation between Pan and Cabinet Exterior.

*24V, requires transformer and fan relay if not obtained with a 24V thermostat.

Valves and Valve Accessories

- | | |
|--|--|
| <input type="checkbox"/> Shut - Off Valve(s) | <input type="checkbox"/> Strainer(s) |
| <input type="checkbox"/> Shut - Off Valve w/ Memory Stop | <input type="checkbox"/> Manual Flow Control Valve(s) |
| <input type="checkbox"/> 2 - Way Motorized Valve | <input type="checkbox"/> Automatic Flow Control Valve(s) |
| <input type="checkbox"/> 3 - Way Motorized Valve | <input type="checkbox"/> Unions |
| <input type="checkbox"/> 2 - Way Modulating Valve | <input type="checkbox"/> Pete's Plug(s) |

General Description

- This vertical discharge, floor-mounted, cased unit is designed for concealed installations associated with ducted air systems in public buildings, schools, hospitals and hotels.
- Exterior fabricated of 18 gauge galvanized steel with ½" matte-faced liner for maximum thermal and acoustical insulation, unpainted.
- Removable motor/blower assembly mounted on a deck which slides out for easy maintenance.
- Throwaway filter.
- Manual air vent.
- System charged with air to insure a leak free arrival at the job site.

This submittal is meant to demonstrate general dimensions of this product. The drawings are not meant to detail every aspect of the product. Drawings are not to scale. Superior

Rex reserves the right to make changes without written notice.

All rights reserved. No part of this work may be reproduced or transmitted in any form or by any means, electronic or mechanical, including photocopying and recording, or by any information storage retrieval system without permission in writing from Air Distribution Technologies.