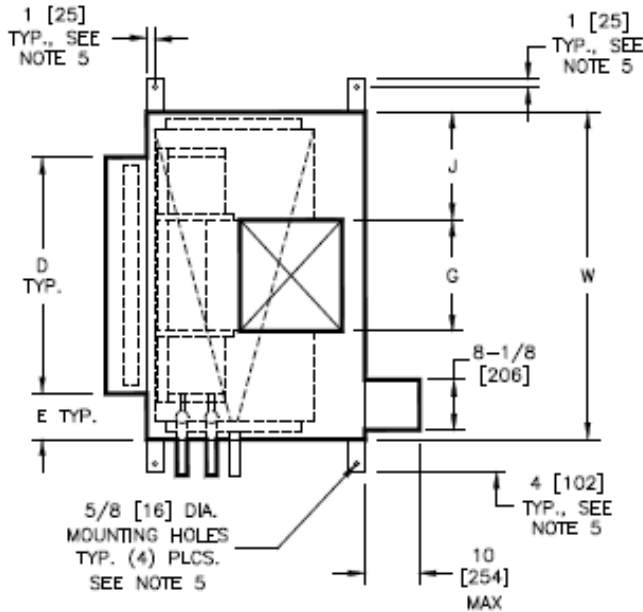
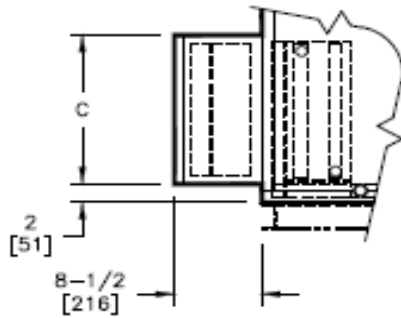


SBVD Arr. 2

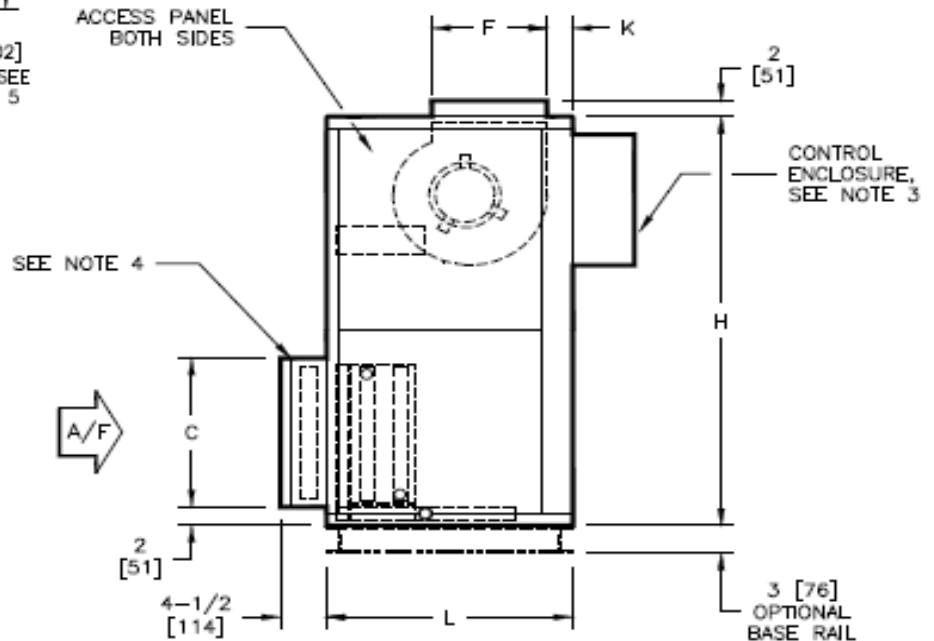
Model SBVD Direct Drive Blower Coil Unit Discharge ARTG. 2



TOP VIEWS



HIGH EFFICIENCY FILTER RACK



SIDE VIEW

STANDARD FILTER RACK

DIMENSIONS

SIZE	UNIT MODEL	L	W	H	C	D	E	F	G	J	K
08	9 X 6	24	30	44	16	20	5	10-3/8	8-3/8	10-7/8	2-1/2
	[229 X 152]	[610]	[762]	[1118]	[406]	[508]	[127]	[264]	[213]	[276]	[64]
12	9 X 6	24	36	44	16	25	5-1/2	10-3/8	8-3/8	13-7/8	2-1/2
	[229 X 152]	[610]	[914]	[1118]	[406]	[635]	[140]	[264]	[213]	[352]	[64]
16	10 X 8	24	44	44	16	39-1/2	2-1/4	11-1/2	10-5/8	16-3/4	2-1/2
	[254 X 203]	[610]	[1118]	[1118]	[406]	[1003]	[57]	[292]	[270]	[425]	[64]
20	10 X 8	30	50	50	16	44-1/2	2-3/4	11-1/2	10-5/8	19-3/4	2-1/2
	[254 X 203]	[762]	[1270]	[1270]	[406]	[1130]	[70]	[292]	[270]	[502]	[64]
30	10 X 8	30	59	56	25	51	4	11-1/2	10-5/8	24-1/4	10
	[254 X 203]	[762]	[1499]	[1422]	[635]	[1295]	[102]	[292]	[270]	[629]	[254]
40	10 X 8	30	68	59	25	59	4-1/2	11-1/2	10-5/8	28-3/4	10
	[254 X 203]	[762]	[1727]	[1499]	[635]	[1499]	[114]	[292]	[270]	[730]	[254]

Revision	Date	Initiated By	Description
New	08/04/22	SP	New Release