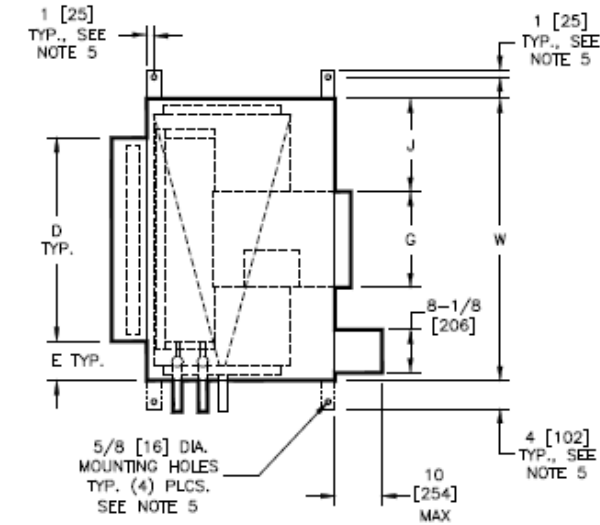


**SBVD Arr. 3**

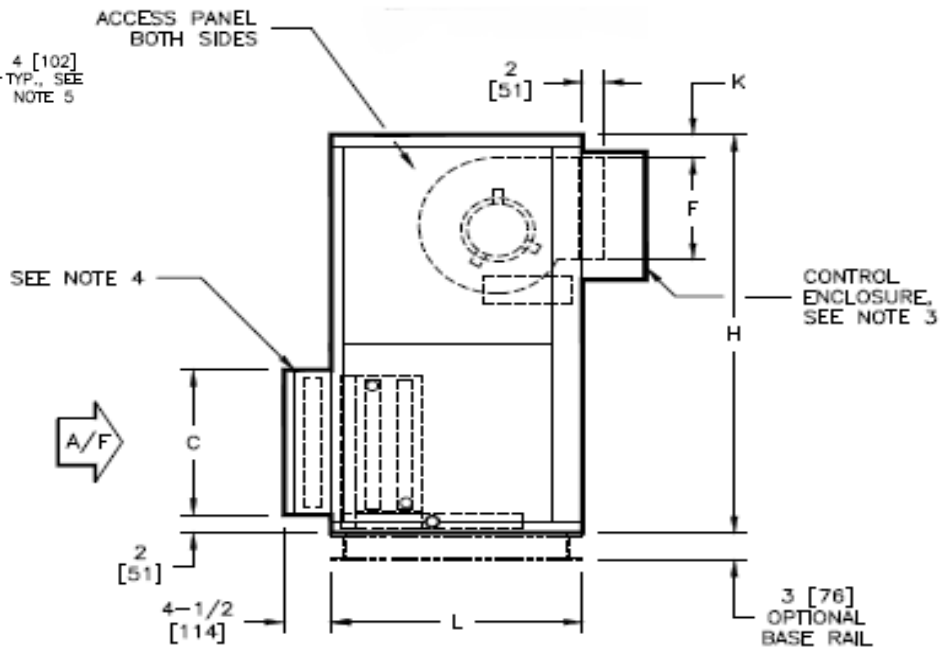
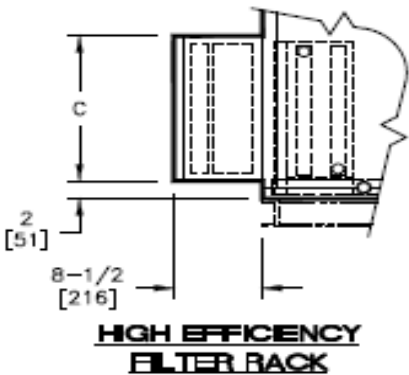
**Model SBVD Direct Drive Blower Coil Unit Discharge ARTG.3**

**NOTES:**

1. All dimensions are Inches [millimeters]. All dimensions are  $\pm 1/4"$  [6mm]. Metric values are soft conversion.
2. Right hand unit shown, left hand unit opposite. Motor/drive location may be specified Left or Right Hand. Standard control enclosure location matches motor/drive position.
3. Provide sufficient clearance to permit access to controls and comply with applicable codes and ordinances.
4. Flat filter rack may be located at unit inlet as required. See drawing BC-SBHD-16.0 for filter rack details.
5. Base rail is optional on the base unit. See drawing BC-SBHD-18.0. Base rails must be used with mixing box.
6. See coil connection details drawings for Coil connection sizes and locations.



**TOP VIEWS**



**SIDE VIEW DIMENSIONS**

SIZE	UNIT MODEL	L	W	H	C	D	E	F	G	J	K
08	9 X 6	24	30	44	16	20	5	10-3/8	8-3/8	10-7/8	2
	[229 X 152]	[610]	[762]	[1118]	[406]	[508]	[127]	[264]	[213]	[276]	[51]
12	9 X 6	24	36	44	16	25	5-1/2	10-3/8	8-3/8	13-7/8	2
	[229 X 152]	[610]	[914]	[1118]	[406]	[635]	[140]	[264]	[213]	[352]	[51]
16	10 X 8	24	44	44	16	39-1/2	2-1/4	11-1/2	10-5/8	16-3/4	2
	[254 X 203]	[610]	[1118]	[1118]	[406]	[1003]	[57]	[292]	[270]	[425]	[51]
20	10 X 8	30	50	50	16	44-1/2	2-3/4	11-1/2	10-5/8	19-3/4	2
	[254 X 203]	[762]	[1270]	[1270]	[406]	[1130]	[70]	[292]	[270]	[502]	[51]
30	10 X 8	30	59	56	25	51	4	11-1/2	10-5/8	24-1/4	5-1/2
	[254 X 203]	[762]	[1499]	[1422]	[635]	[1295]	[102]	[292]	[270]	[629]	[140]
40	10 X 8	30	68	59	25	59	4-1/2	11-1/2	10-5/8	28-3/4	5-1/2
	[254 X 203]	[762]	[1727]	[1499]	[635]	[1499]	[114]	[292]	[270]	[730]	[140]

New	08/04/22	SP	New Release
Revision Date	Version Date	Initiated By	Description