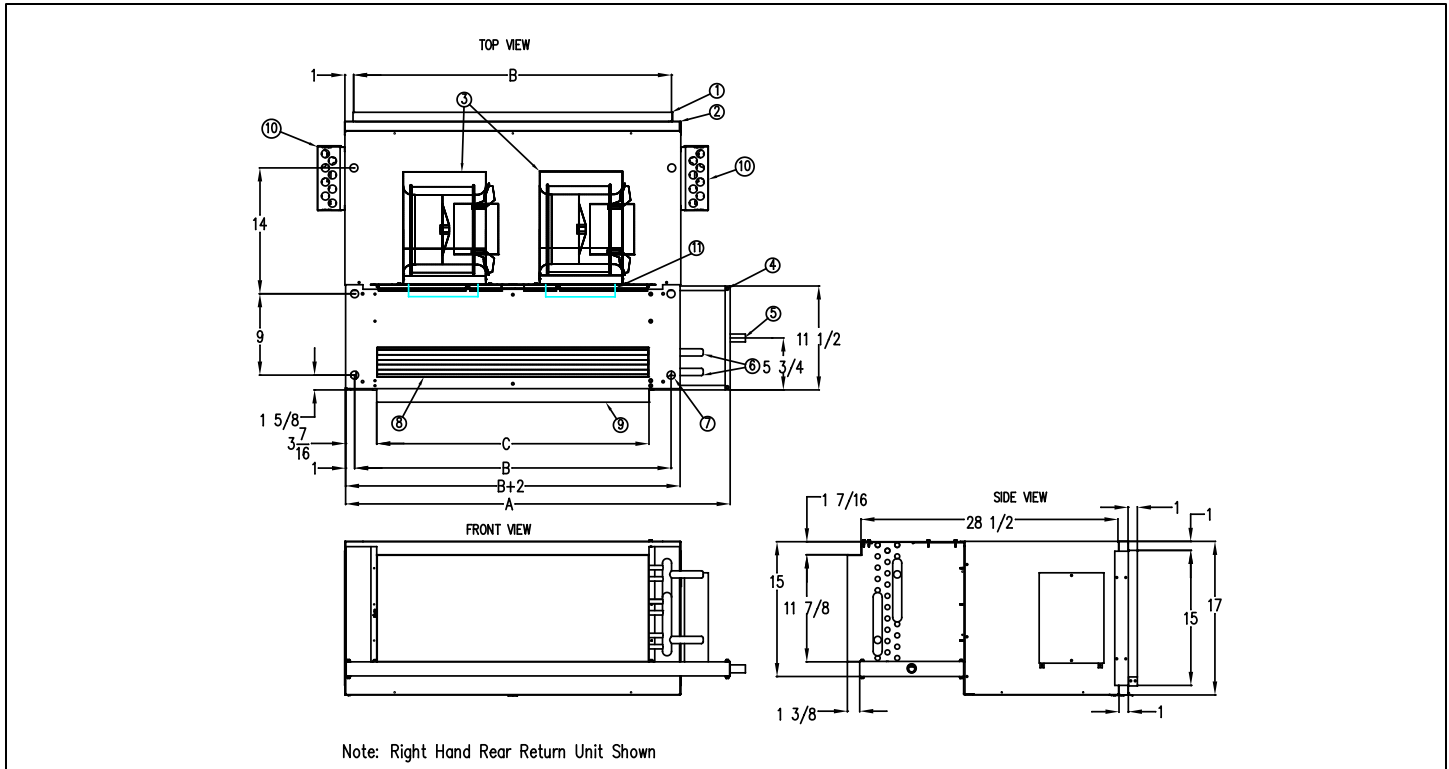


AHR

Horizontal High Output Concealed with Plenum



Model	Dimensions (inches)					Approx. Weight (lb)
	A	B	C	D	Filter	
AHR06	25 1/2	18	13	5/8	20x17x1	81
AHR08	30 1/2	23	18	5/8	25x17x1	94
AHR10	33 1/2	26	21	7/8	28x17x1	106
AHR12	38 1/2	31	26	7/8	33x17x1	117
AHR14	42 1/2	35	30	7/8	37x17x1	154
AHR16	46 1/2	39	34	7/8	41x17x1	175
AHR18	51 1/2	44	39	7/8	46x17x1	195
AHR20	55 1/2	48	43	7/8	50x17x1	212

1. Return air duct collar
 2. Filter (rear return shown)
 3. Blower / motor assembly
 4. Condensate pan
 5. Drain connection - 3/4" MNPT
 6. Chilled water connections (supply and return)
O.D. = 'D'; Hot water connections = 5/8" O.D.
 7. Mounting holes with rubber grommets
 8. Coil assembly
 9. Supply air duct collar
 10. Control/Electrical Box*
- *Control Box may be mounted on either side of unit

Accessories (Optional)

Check if provided.

- Motor Quick Disconnect, Rear Return Only
- Thermostat _____
- Control Transformer & Fan Relays
- Aquastat Changeover Switch

- Washable Filter
- Unit Disconnect Switch
- Fuse

This submittal is meant to demonstrate general dimensions of this product. The drawings are not meant to detail every aspect of the product. Drawings are not to scale.

Superior Rex reserves the right to make changes without written notice.

All rights reserved. No part of this work may be reproduced or transmitted in any form or by any means, electronic or mechanical, including photocopying and recording, or by any information storage retrieval system without permission in writing from Air Distribution Technologies.

Accessories (Optional)

Coil - 1/2" O.D. Copper Tube; 10 Fins/Inch Aluminum, Sine Wave

2-Pipe

- 3-Row (STD.)
 4-Row (STD.)
 5-Row
 6-Row

4-Pipe (Cooling Rows/Heating Rows)

- 2/1-Row
 3/1-Row
 3/2-Row
 4/1-Row
 4/2-Row
 5/1-Row

- Chilled Water Cooling
 Hot Water Heating
 Glycol Cooling
 Glycol Heating

Motor

Motor(s) - 3 speed PSC

Standard
115V/60Hz/1ph

Model	HP	Total Amps
AHR06	1/4	3.5
AHR08	1/4	3.9
AHR10	1/4	4.1
AHR12	1/3	4.9
AHR14	2 X 1/4	2 X 4.1
AHR16	2 X 1/4	2 X 4.2
AHR18	2 X 1/4	2 X 4.3
AHR20	2 X 1/3	2 X 4.5

Optional:

- 208V/60Hz/1ph
 230V/60Hz/1ph
 277V/60Hz/1ph

Features:

- Automatic Reset
- Thermal Overload Protection System

Electric Heat – Single Phase (Optional)

		Electric Heater kW Primary or Supplementary				
		115 Volts	208 Volts	230 Volts	277 Volts	
Heater Voltage	Size	Blowers	Min-Max kW	Min-Max kW	Min-Max kW	Min-Max kW
<input type="checkbox"/> 115V	06	1	1-4 kW	1-6 kW	1-6 kW	1-6 kW
<input type="checkbox"/> 208V	08	1	1-4 kW	1-6 kW	1-6 kW	1-6 kW
<input type="checkbox"/> 230V	10	1	1-4 kW	1-6 kW	1-6 kW	1-6 kW
<input type="checkbox"/> 277V	12	1	1-4 kW	1-6 kW	1-6 kW	1-6 kW
	14	2	1-4 kW	1-9 kW	1-10 kW	1-10 kW
	16	2	1-4 kW	1-9 kW	1-10 kW	1-10 kW
	18	2	1-4 kW	1-9 kW	1-10 kW	1-10 kW
	20	2	1-4 kW	1-9 kW	1-10 kW	1-10 kW

This submittal is meant to demonstrate general dimensions of this product. The drawings are not meant to detail every aspect of the product. Drawings are not to scale.

Superior Rex reserves the right to make changes without written notice.

All rights reserved. No part of this work may be reproduced or transmitted in any form or by any means, electronic or mechanical, including photocopying and recording, or by any information storage retrieval system without permission in writing from Air Distribution Technologies.

Condensate Pan

<input type="checkbox"/> Galvanized (STD.)	<input type="checkbox"/> Safety Overflow Float Switch*	Description: Inner and Outer Layer of 18 gauge Galvanized Sheet Metal with One - Inch Internal Insulation
<input type="checkbox"/> Safety (Two) Drain Connection		
<input type="checkbox"/> Extension Plate		
<input type="checkbox"/> Mastic Coating		
<input type="checkbox"/> Stainless Steel Inner Layer		

*24V, requires transformer and fan relay if not obtained with a 24V thermostat.

Valves and Valve Accessories

<input type="checkbox"/> Shut - Off Valve(s)	<input type="checkbox"/> Strainer(s)
<input type="checkbox"/> Shut - Off Valve w/ Memory Stop	<input type="checkbox"/> Manual Flow Control Valve(s)
<input type="checkbox"/> 2 - Way Motorized Valve	<input type="checkbox"/> Automatic Flow Control Valve(s)
<input type="checkbox"/> 3 - Way Motorized Valve	<input type="checkbox"/> Unions
<input type="checkbox"/> 2 - Way Modulating Valve	<input type="checkbox"/> Pete's Plug(s)

General Description

- This horizontal discharge fan coil unit is designed for concealed installations where a return air plenum and ducted air system are required. Typical applications are above closets, hallways, or bathrooms in hotels, motels, condominiums and commercial buildings.
 - Exterior fabricated of 18 gauge galvanized steel with 1/2" matte-faced liner for maximum thermal and acoustical insulation.
 - Removable motor/blower assembly.
- Throwaway filter.
 - Manual Air Vent.
- System charged with air to insure a leak free arrival at the job site.
 - Plenum designed for bottom or rear return and provided with filter clips (required on bottom return), horizontal filter slide or vertical filter slide.

This submittal is meant to demonstrate general dimensions of this product. The drawings are not meant to detail every aspect of the product. Drawings are not to scale.

Superior Rex reserves the right to make changes without written notice.

All rights reserved. No part of this work may be reproduced or transmitted in any form or by any means, electronic or mechanical, including photocopying and recording, or by any information storage retrieval system without permission in writing from Air Distribution Technologies.