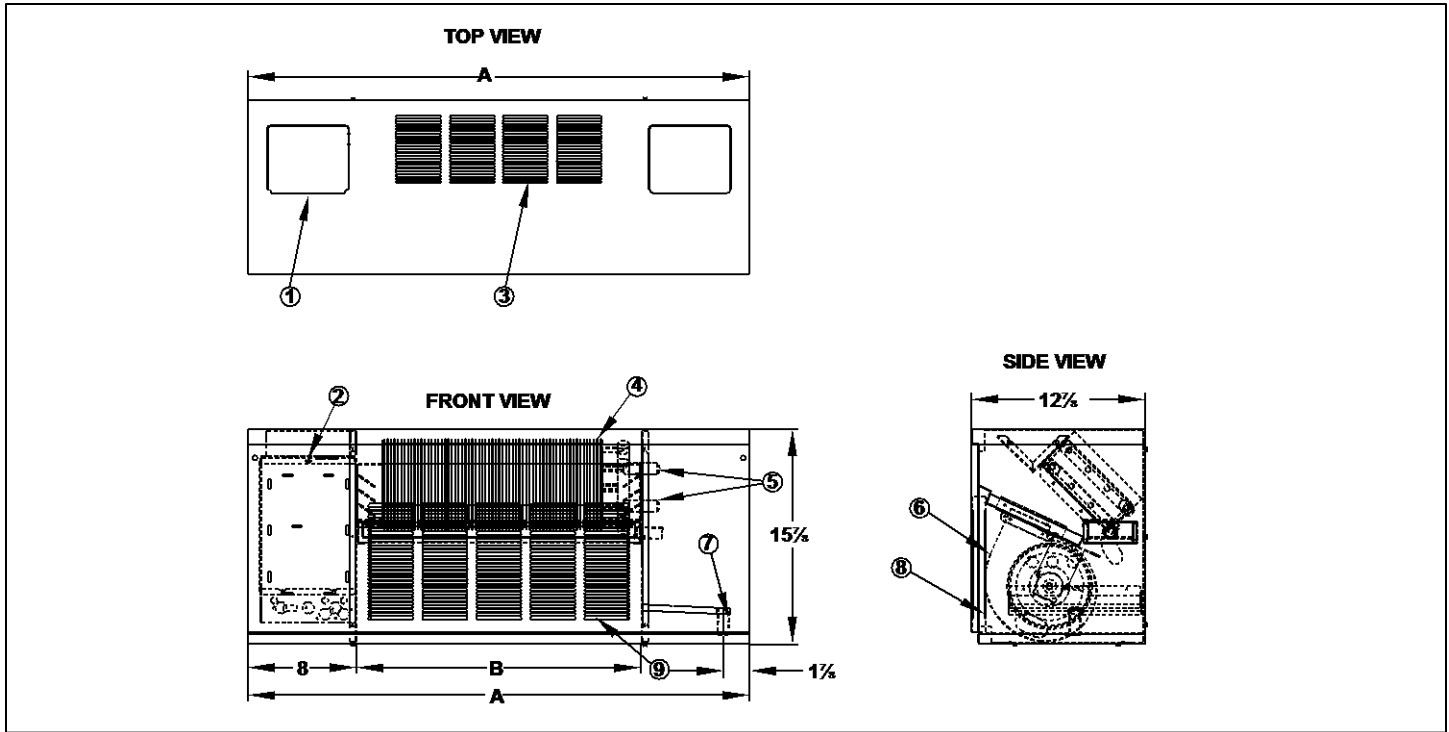


BVL

Vertical Basic Low Profile Cabinet



Model	Dimensions (inches)				Approx. Weight (lb)
	A	B	C	Filter	
BVL02	37 1/8	21 1/8	5/8	21x10x1	90
BVL03	41 1/8	25 1/8	5/8	25x10x1	95
BVL04	52 1/8	36 1/8	5/8	36x10x1	100
BVL06	60 1/8	44 1/8	5/8	44x10x1	120

1. Control access door
2. Control box
3. Supply air grille
4. Coil assembly
5. Water connections (supply and return) O.D. = "C"
6. Blower / motor assembly
7. Drain connection - 3/4" MNPT.
8. Filter
9. Return air grille

Accessories (Optional)

Check if provided.

- | | | |
|---|---|--|
| <input type="checkbox"/> Motor Quick Disconnect | <input type="checkbox"/> Washable Filter | <input type="checkbox"/> Control Door Cam Locks |
| <input type="checkbox"/> Thermostat _____ | <input type="checkbox"/> Leveling Legs | <input type="checkbox"/> Front Panel Tamper Proof Screws |
| <input type="checkbox"/> Control Transformer & Fan Relays | <input type="checkbox"/> Unit Disconnect Switch | <input type="checkbox"/> Special Color _____ (specify) |
| <input type="checkbox"/> Aquastat Changeover Switch | <input type="checkbox"/> Fuse | |

This submittal is meant to demonstrate general dimensions of this product. The drawings are not meant to detail every aspect of the product. Drawings are not to scale. Superior Rex reserves the right to make changes without written notice.

All rights reserved. No part of this work may be reproduced or transmitted in any form or by any means, electronic or mechanical, including photocopying and recording, or by any information storage retrieval system without permission in writing from Air Distribution Technologies.

Accessories (Optional)

Coil - 3/8" O.D. Copper Tube; 10 Fins/Inch Aluminum, Sine Wave

2-Pipe

- 2-Row (STD.) 3-Row (STD.) 4-Row

4-Pipe (Cooling Rows/Heating Rows)

- 2/1-Row 3/1-Row

- Chilled Water Cooling Hot Water Heating
 Glycol Cooling Glycol Heating

Motor

Motor(s) – 3-speed PSC
 Standard
 115V/60Hz/1ph

Model	HP	Total Amps
BVL02	1/30	0.50
BVL03	1/30	0.50
BVL04	1/20	0.80
BVL06	1/20	0.80

Optional:

- 208V/60Hz/1ph
 230V/60Hz/1ph
 277V/60Hz/1ph.

Features:

- Automatic Reset
- Thermal Overload Protection System

Electric Heat – Single Phase (Optional)

Heater Voltage

- 115V
 208V
 230V
 277V

		Electric Heater kW Primary or Supplementary			
		115 Volts	208 Volts	230 Volts	277 Volts
Size	Blowers	Min-Max kW	Min-Max kW	Min-Max kW	Min-Max kW
02	1	1-2 kW	1-2 kW	1-2 kW	1-2 kW
03	1	1-3 kW	1-3 kW	1-3 kW	1-3 kW
04	2	1-4 kW	1-4 kW	1-4 kW	1-4 kW
06	2	1-5 kW	1-6 kW	1-6 kW	1-6 kW

Condensate Pan

- Galvanized (STD.)
- Mastic Coating
- Stainless Steel Inner Layer

Description: Inner and Outer Layer of 18 gauge Galvanized Sheet Metal with One - Inch Internal Insulation

Valves and Valve Accessories

- Shut - Off Valve(s)
- Shut - Off Valve w/ Memory Stop
- 2 - Way Motorized Valve
- 3 - Way Motorized Valve
- 2 - Way Modulating Valve
- Strainer(s)
- Manual Flow Control Valve(s)
- Automatic Flow Control Valve(s)
- Unions
- Pete's Plug(s)

General Description

- The low silhouette styling of this cabinet unit makes it ideal for applications in public buildings, schools, hospitals and hotels where the fan coil height is restricted.
- Exterior fabricated of 18 gauge galvanealed steel with Rock Beige or White powder-coated paint and a 1/2" matte-faced liner for maximum thermal and acoustical insulation.
- Throwaway filter.
- Manual air vent.
- Removable motor/blower assembly.
- System charged with air to insure a leak free arrival at the job site.

This submittal is meant to demonstrate general dimensions of this product. The drawings are not meant to detail every aspect of the product. Drawings are not to scale. Superior Rex reserves the right to make changes without written notice.

All rights reserved. No part of this work may be reproduced or transmitted in any form or by any means, electronic or mechanical, including photocopying and recording, or by any information storage retrieval system without permission in writing from Air Distribution Technologies.