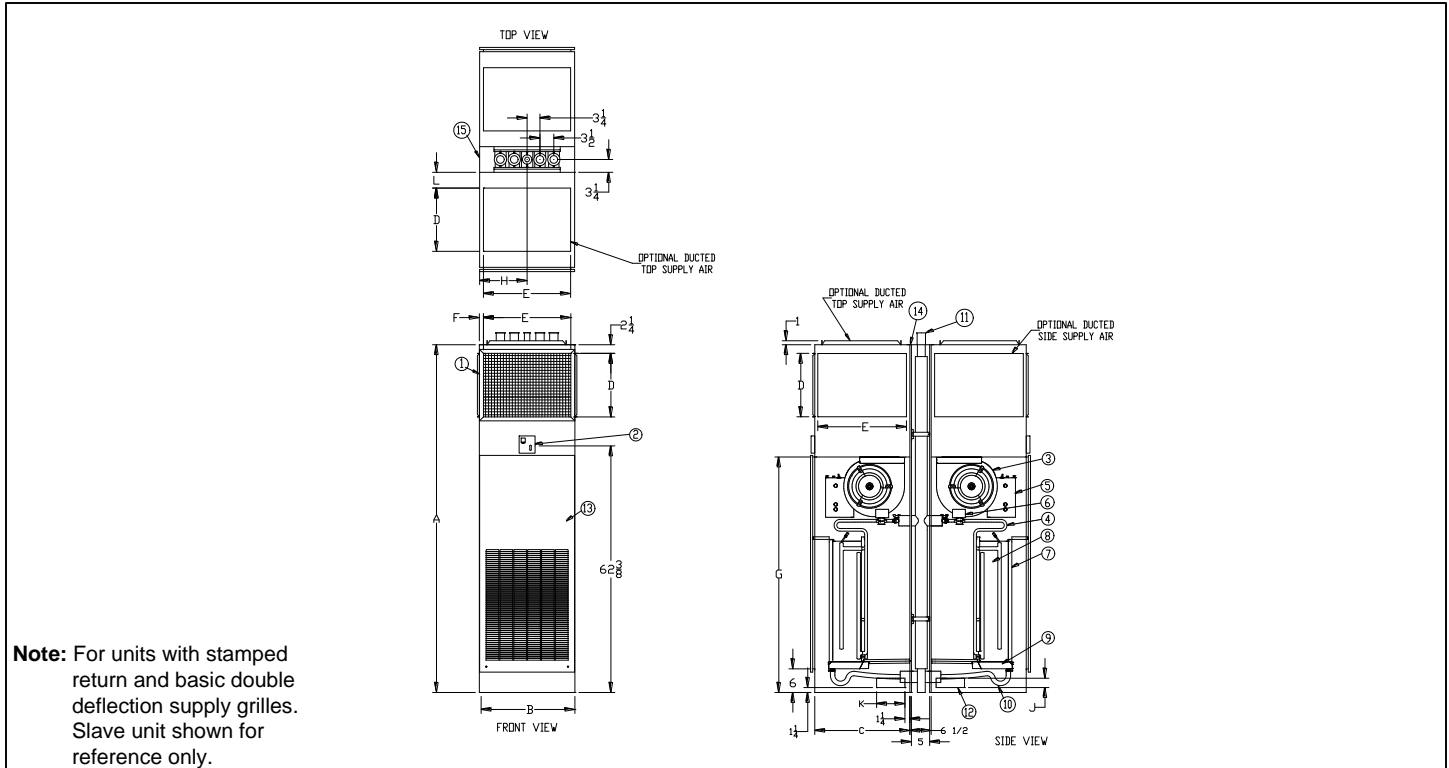


AVSM
Fan Coil Unit
Vertical Stack Recessed Master



Model	Dimensions - Single Supply Option (inches)												Approx. Weight (lb)
	A	B	C	D	E	F	G	H	J	K	L	Filter	
AVSM03	88	17	17	8	15	1	56 5/8	8 1/2	3 1/4	7 3/8	3 1/2	13x23x1	230
AVSM04	88	17	17	10	15	1	56 5/8	8 1/2	3 1/4	7 3/8	3 1/2	13x23x1	240
AVSM06	88	20	20	10	18	1	56 5/8	10	3 1/4	8 7/8	4	16x27x1	270
AVSM08	88	20	20	12	18	1	56 5/8	10	3 1/4	8 7/8	4	16x27x1	280
AVSM10	88	24	24	12	22	1	59 5/8	12	2 3/8	10 7/8	5	20x31x1	310
AVSM12	88	24	24	16	22	1	59 5/8	12	2 3/8	10 7/8	4	20x31x1	320

- Supply air grille (optional)
- Unit-mounted thermostat (optional)
- Blower / motor assembly
- Expansion loop
- Electrical junction box
- Valve package (optional)
- Filter
- Coil assembly
- Condensate pan
- See-through P-Trap drain
- Riser assembly
- Fresh air damper opening 4" x 8" w/ duct collar (optional)
- Stamped Return Air/Access panel (optional)
- 1-hour firewall (optional)
- Pipe chase plate

Model	Dimensions - Dual Supply Option (inches)												Approx. Weight (lb)
	A	B	C	D	E	F	G	H	J	K	L	Filter	
AVSM03	88	17	17	6	15	1	56 5/8	8 1/2	3 1/4	7 3/8	3 1/2	13x23x1	230
AVSM04	88	17	17	6	15	1	56 5/8	8 1/2	3 1/4	7 3/8	3 1/2	13x23x1	240
AVSM06	88	20	20	6	18	1	56 5/8	10	3 1/4	8 7/8	4	16x27x1	270
AVSM08	88	20	20	6	18	1	56 5/8	10	3 1/4	8 7/8	4	16x27x1	280
AVSM10	88	24	24	8	22	1	59 5/8	12	2 3/8	10 7/8	5	20x31x1	310
AVSM12	88	24	24	8	22	1	59 5/8	12	2 3/8	10 7/8	4	20x31x1	320

Accessories (Optional)

Submittal FC-AVSM-2.0 8-30-11

Check if provided.

<input type="checkbox"/> Thermostat Quick Connect	<input type="checkbox"/> Washable Filter	<input type="checkbox"/> Custom Return Grille / Access Panel
<input type="checkbox"/> Control Transformer & Fan Relays	<input type="checkbox"/> Fuse	<input type="checkbox"/> Type L Copper Riser
<input type="checkbox"/> Aquastat Changeover Switch	<input type="checkbox"/> Additional Supply Location	<input type="checkbox"/> Type K Copper Riser
<input type="checkbox"/> Manual Damper <input type="checkbox"/> Auto Damper	<input type="checkbox"/> Additional Supply Grille	<input type="checkbox"/> ¾" Riser Insulation
<input type="checkbox"/> Motor Quick Disconnect	<input type="checkbox"/> Sound and Privacy Baffle	<input type="checkbox"/> 1" Matte-Faced Cabinet Insulation
	<input type="checkbox"/> Special Grille Color _____ (specify)	

Coil - 3/8" O.D. Copper Tube; 10 Fins/Inch Aluminum, Sine Wave

2-Pipe

2-Row 3-Row 4-Row 5-Row

4-Pipe (Cooling Rows/Heating Rows)

2/1-Row 3/1-Row 3/2-Row 4/1-Row

Chilled Water Cooling Hot Water Heating

Glycol Cooling Glycol Heating

Motor(s) - 3 speed PSC

Standard 115V/60Hz/1ph	Optional Standard Voltages:	Optional High Static 115V/60Hz/1ph	Optional High Static Voltages:
---------------------------	--------------------------------	---------------------------------------	-----------------------------------

Model	HP	Total
AVSM03	1/10	1.3
AVSM04	1/10	1.4
AVSM06	1/10	2.0
AVSM08	1/4	2.9
AVSM10	1/4	4.0
AVSM12	1/3	3.7

<input type="checkbox"/> 208V/60Hz/1ph
<input type="checkbox"/> 230V/60Hz/1ph
<input type="checkbox"/> 277V/60Hz/1ph

Model	HP	Total
AVSM03	1/10	1.6
AVSM04	1/10	1.6
AVSM06	1/4	2.9
AVSM08	1/4	3.5
AVSM10	1/4	4.3
AVSM12	1/3	4.0

<input type="checkbox"/> 208V/60Hz/1ph
<input type="checkbox"/> 230V/60Hz/1ph
<input type="checkbox"/> 277V/60Hz/1ph

Features:

- Automatic Reset
- Thermal Overload Protection System

Electric Heat (Single Phase)

Heater Voltage

115V

208V

230V

277V

		Electric Heater kW Primary or Supplementary			
		115 Volts	208 Volts	230 Volts	277 Volts
Size	Blowers	Min-Max kW	Min-Max kW	Min-Max kW	Min-Max kW
03	1	1-1.5 kW	1-2 kW	1-2 kW	1-2.5 kW
04	1	1-1.5 kW	1-2 kW	1-2 kW	1-2.5 kW
06	1	1-2.5 kW	1-3 kW	1-3 kW	1-3.5 kW
08	1	1-2.5 kW	1-3 kW	1-3 kW	1-3.5 kW
10	1	1-3 kW	1-3 kW	1-3.5 kW	1-5 kW
12	1	1-3 kW	1-3 kW	1-3.5 kW	1-5 kW

Condensate Pan

- Single Wall Galvanized (STD.)
- Single Wall Stainless Steel
- Double Wall with Galvanized Inner Layer
- Double Wall with Stainless Steel Inner Layer

Description: Single wall of 18 gauge Galvanized Sheet Metal with 3/8" - Inch Closed Cell Insulation.

Valves and Valve Accessories

- | | |
|--|--|
| <input type="checkbox"/> Shut - Off Valve(s) (STD.) | <input type="checkbox"/> Strainer(s) |
| <input type="checkbox"/> Shut - Off Valve w/ Memory Stop | <input type="checkbox"/> Manual Flow Control Valve(s) |
| <input type="checkbox"/> 2 - Way Motorized Valve (STD.) | <input type="checkbox"/> Automatic Flow Control Valve(s) |
| <input type="checkbox"/> 3 - Way Motorized Valve | <input type="checkbox"/> Unions |
| <input type="checkbox"/> 2 - Way Modulating Valve | <input type="checkbox"/> Pete's Plug(s) |

General Description

- This horizontal discharge, vertical stack unit is designed for concealed installations in high-rise hotels, motels, apartment buildings and nursing homes. The risers are incorporated with the unit for quick and economical installation.
- Exterior fabricated of 18 gauge galvanized steel with 1/2" matte-faced liner for maximum thermal and acoustical insulation, unpainted.
- Removable motor/blower assembly mounted on a deck which slides out for easy maintenance.
- Riser assembly for 2 or 4-Pipe system including 1/2" closed cell, flexible elastomeric thermal insulation. Risers are swaged at one end for ease of installation. Extensions are provided for connection to unit on the next floor.
- Throwaway filter.
- Manual air vent.
- Aluminum double deflection white supply grille. (optional)
- Stamped Steel return air grille/access panel, white with powder polyester coated paint, oven baked. (optional)
- Transparent flexible P-Trap drain.
- Line voltage thermostat incorporating 3-speed switch. (optional)
- 1-Hour fire wall in compliance with ANSI/UL 1479. ETL listed. (optional)
- Unit disconnect switch on internal junction box. (optional)
- System charged with air to insure a leak free arrival at the job site.
- One 2-Way motorized valve with 2 shut-off valves for 2-Pipe systems and two sets for a 4-Pipe system. (optional)

This submittal is meant to demonstrate general dimensions of this product. The drawings are not meant to detail every aspect of the product. Drawings are not to scale.

Superior Rex reserves the right to make changes without written notice.

All rights reserved. No part of this work may be reproduced or transmitted in any form or by any means, electronic or mechanical, including photocopying and recording, or by any information storage retrieval system without permission in writing from Tomkins Industries, Inc.